



DIP 14 STRATUM 3 DIGITAL (VC) TCXO, TU045A AND TY045A SERIES

■ FEATURES:

- Fully meeting free run frequency accuracy and 24 hours maximum frequency drift requirements for STRATUM 3 according to Telecordia GR-1244-CORE*
- Very low power consumption suitable for portable and/or battery operated equipment

■ ELECTRICAL SPECIFICATION**

PARAMETER	SYMBOL	CONDITIONS	VALUE	UNIT
Supply voltage, nom.	Vs	Vs±5%	3.3 5.0	V
HCMOS / LVCMOS Supply current, max. CLIPPED SINWAVE	Is	Vs, nom. / Ta=25°C	12.0 to 20.0 2.0 to 5.0	mA
Frequency, nom.	fo	-	10.000 to 40.000	MHz
Overall frequency stability over 10 years of operation including Initial Frequency Calibration	$\Delta f/f_0$	Ta=-40°C to + 85°C or Ta= 0°C to + 70°C	±4.6	ppm
Frequency drift during 24 hours of continuous operation, max (See note 1)	$\Delta f/f_0$	Ta=-40°C to + 85°C or Ta= 0°C to + 70°C	±0.37	ppm
Temperature Stability (See note 2)		Ta=-40°C to + 85°C or Ta= 0°C to + 70°C	±0.30	ppm
Elect. Frequency Adjustment Range (see note 3)	$\Delta f/f_0$ (Vc)	Vc= 0.25V Vc= 2.25V	-5 ...-10 +5 ...+10	PPM
Jitter (peak to peak), max (Fnom = 20 MHz)	J(f)	Offset Δf = 12kHz to 20MHz	10	ps
Phase noise SSB @ freq.offset, max (Fnom = 20 MHz)	ϵ (Δf)	$\Delta f=10\text{Hz}$ $\Delta f=100\text{Hz}$ $\Delta f=1\text{kHz}$ $\Delta f \geq 10\text{kHz}$	-80 -110 -130 -145	dBc/Hz dBc/Hz dBc/Hz dBc/Hz
HCMOS output levels Clipped Sine	VOH/VOL Vout	Load = 15pF Load=10 k Ω 20pF	0.9Vcc / 0.1Vcc 0.7	V Vp-p
Duty Cycle (HCMOS output)		Load = 15pF	45 to 55	%
Raise/Fall time, max (HCMOS output)	Tr/Tf	Load = 15pF	4	ns

■ ENVIRONMENTAL SPECIFICATION

Storage temperature range	-	-45°C...+85°C	
Vibration	-	IEC 68-2-6, test Fc: 10..500 Hz, 10g, 2 h, 3 directions	All parameters within initial limits
Mechanical shocks	-	IEC 68-2-27, test Ea: 100g, ½ sine, 3 bumps, 6 directions	All parameters within initial limits

Notes:

1. The 24 hours drift can be measured any time after minimum 1 hour from initial turn on. Please contact factory for details.
2. The Temperature Stability is calculated with regard to frequency reading at 25°C±1°C.
3. TY045A series only.

* Telecordia is a trademark of Telecordia Technologies

** This specification is typical. Other frequencies, output types and custom parameters are available. Please, contact factory for details.

中國 • 香港 • 九龍官塘開源道 55 號 開聯工業中心 7 字樓 A 座 1-2 號
Block A, Flat 1-2, 7/F, Hoi Yuen Road, Kwun Tong, Kln, Hong Kong, China

Tel: 852-23899201 Fax: 852-23410001 E-mail: info@nkg.com.hk

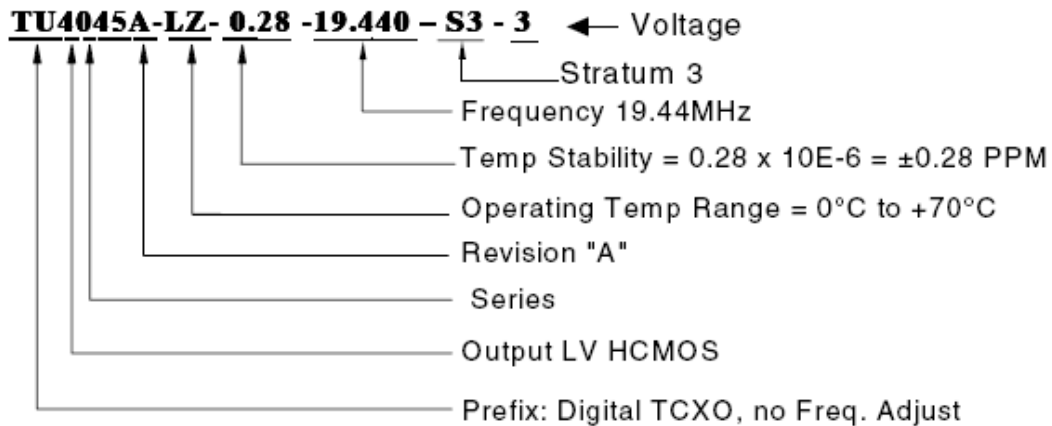


中川電子有限公司
Nakagawa Electronics Limited

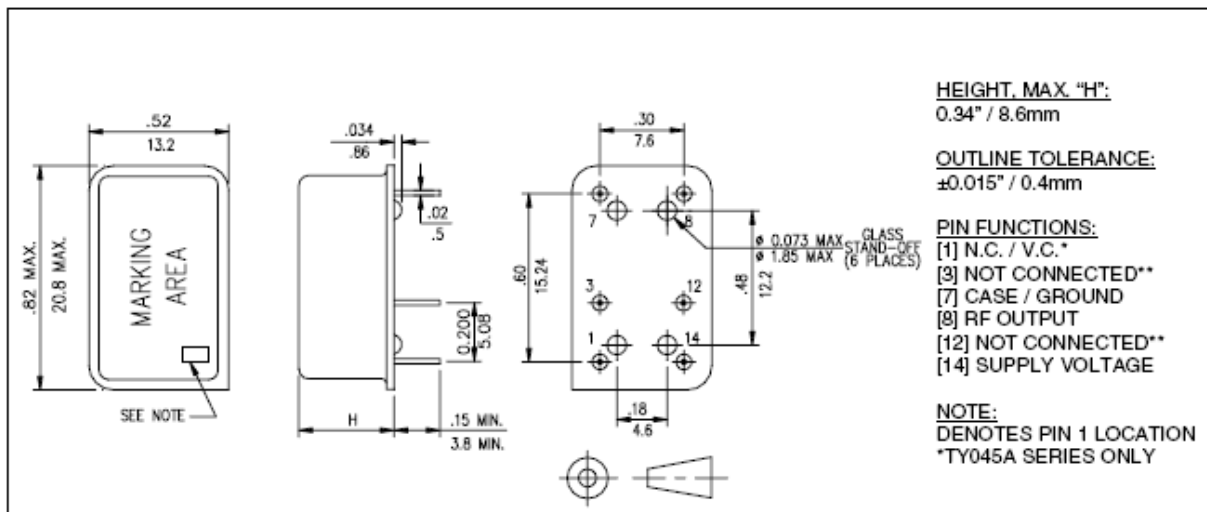
■ HOW TO ORDER (PART NUMBER)

Prefix	Output Type	Series	Revision	Temperature Range	Stability	Frequency	Stratum3	Voltage
TU: No Freq. Adjust option TY: With Freq Adjust	0: CLIPPED SINE 2:HCMOS 4:LVC MOS	045	A	LZ: 0°C to +70°C D3: -40°C to +85°C	0.28= 0.28PPM 0.3= 0.3PPM	In MHZ	S3	3: 3.3V 5: 5.0V

Example:



■ MECHANICAL SPECIFICATION



中國 • 香港 • 九龍官塘開源道 55 號 開聯工業中心 7 字樓 A 座 1-2 號
Block A, Flat 1-2, 7/F, Hoi Yuen Road, Kwun Tong, Kln, Hong Kong, China
Tel: 852-23899201 Fax: 852-23410001 E-mail: info@nkg.com.hk