



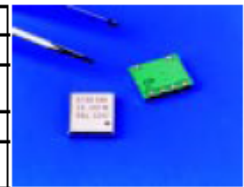
中川電子有限公司

Nakagawa Electronics Limited

SERIES RTX-206 AND RTV-206

- FEATURES
  - ULTRA MINIATURE PACKAGE
  - EXCELLENT FREQUENCY STABILITY AND AGING
  - 5.0 V OR 3.0 V SUPPLY VOLTAGE
- SPECIFICATIONS

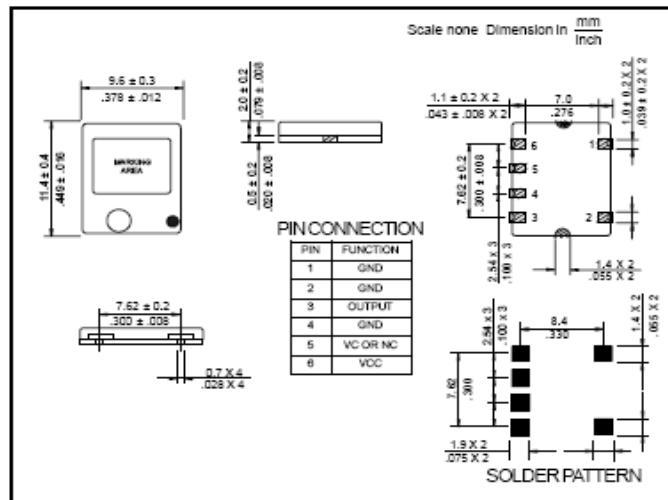
| SERIES   | RTX-206                             | RTV-206                          | RTV-206                          |
|--|-------------------------------------|----------------------------------|----------------------------------|
| FREQUENCY RANGE                                  | 10.00 MHz TO 20.00MHz               |                                  |                                  |
| FREQUENCY STABILITY OVER TEMPERATURE RANGE†      | ±2.5 PPM                            |                                  |                                  |
| OPERATING TEMPERATURE RANGE                      | -30°C TO +75°C                      |                                  |                                  |
| FREQUENCY STABILITY VS. SUPPLY VOLTAGE VARIATION | ±0.3 PPM AT 3.0V ±5%                |                                  |                                  |
| AGING  | ±0.8 PPM MAX PER YEAR               |                                  |                                  |
| SUPPLY VOLTAGE†                                  | +3.0 VDC ±5%                        |                                  |                                  |
| OUTPUT LEVEL                                     | 0.8V p-p MIN AT 3.0 VDC ±5%         |                                  |                                  |
| LOAD   | 10 K OHM // 10pF                    |                                  |                                  |
| OUTPUT WAVEFORM†                                 | CLIPPED SINE (CMOS/TTL AVAILABLE††) |                                  |                                  |
| CURRENT  | 2.0 mA MAX                          |                                  |                                  |
| FREQUENCY ADJUSTMENT                             | ±3 PPM MIN                          |                                  | TRIMMERLESS                      |
| VOLTAGE CONTROL RANGE†                           | N/A                                 | W: ±5 PPM TO ±10 PPM (+1.5V ±1V) | N: ±8 PPM TO ±14 PPM (+1.5V ±1V) |



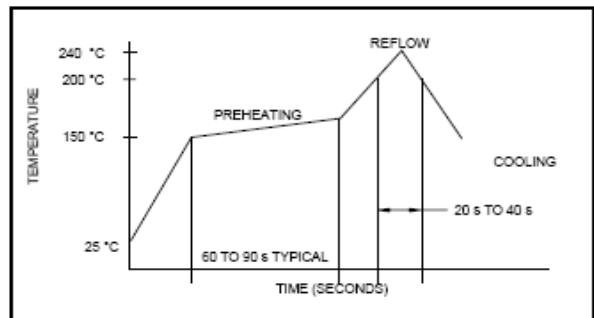
† OTHER STABILITIES OVER TEMPERATURE, +5.0 V SUPPLY, WAVEFORMS AND FREQUENCY DEVIATIONS ARE AVAILABLE.

†† CMOS/TTL OUTPUT IS AVAILABLE WITH 2.5 mm MAX HEIGHT ONLY.

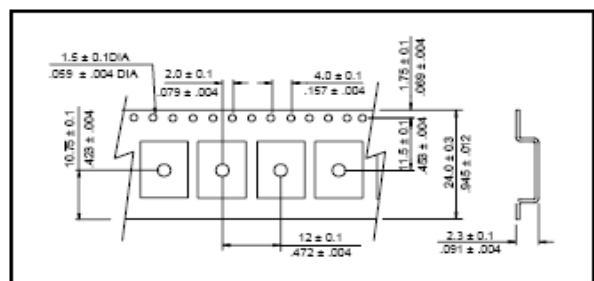
● OUTLINE DRAWING



● REFLOW SOLDERING PROFILE



● CARRIER TAPE DIMENSIONS



● PACKAGING

330 mm REEL DIAMETER, 24 mm TAPE WIDTH, 12 mm PITCH  
 QUANTITY: 2000 PIECES PER REEL

● PART NUMBERING SYSTEM

| TYPE       | REVISION | SERIES | FREQUENCY STABILITY | TEMPERATURE RANGE  | VOLTAGE          | FREQUENCY CONTROL (RTVXO ONLY)   | TRIMMER | WAVEFORM        | FREQUENCY |
|------------|----------|--------|---------------------|--------------------|------------------|--|---------|-----------------|-----------|
| RTX<br>RTV | TBD*     | 206    | E: ±2.5 PPM         | F1: -30°C TO +75°C | 3: +3.0 VDC ± 5% | W: ±5.0 PPM TO ±10.0 PPM (+1.5 V ±1.0 V)<br>N: ±8 PPM TO ±14 PPM (+1.5 V ±1.0 V) | T       | S: CLIPPED SINE | IN MHZ    |

EXAMPLE: RTV\*-206EF13W-TS-16.000

\* REVISION IS ASSIGNED DURING MANUFACTURING

中國 ● 香港 ● 九龍官塘開源道 55 號 開聯工業中心 7 字樓 A 座 1-2 號  
 Block A, Flat 1-2, 7/F, Hoi Yuen Road, Kwun Tong, Kln, Hong Kong, China

Tel: 852-23899201 Fax: 852-23410001 E-mail: info@nkg.com.hk