



中川電子有限公司
Nakagawa Electronics Limited

SERIES RTX-119 AND RTV-119

- **FEATURES**
 - LOW PROFILE AND SMALL FOOTPRINT
 - EXCELLENT FREQUENCY STABILITY AND AGING
 - 3.0 V OR 5.0 VOLT SUPPLY
 - VOLTAGE CONTROL OPTION

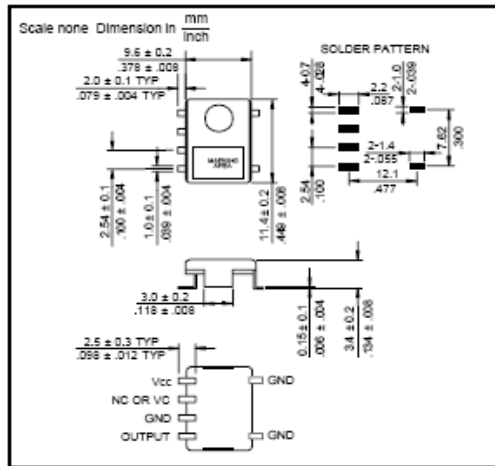
● **SPECIFICATIONS**

SERIES		RTX-119	RTV-119
FREQUENCY RANGE		9.60MHz TO 32.00 MHz	9.60 MHz TO 32.00 MHz
FREQUENCY STABILITY OVER TEMPERATURE RANGE†		±2.5 PPM OVER -30°C TO +75°C	±2.5 PPM OVER -30°C TO +75°C
FREQUENCY STABILITY OVER SUPPLY VOLTAGE VARIATION		±0.2 PPM AT 5.0 V ± 5% ±0.2 PPM AT 3.0 V ± 5%	±0.2 PPM AT 5.0 V ± 5% ±0.2 PPM AT 3.0 V ± 5%
FREQUENCY STABILITY OVER LOAD VARIATION		±0.3 PPM AT 10 KOHM // 10 pF	±0.3 PPM AT 10 KOHM // 10 pF
AGING		±1 PPM PER YEAR MAX	±1 PPM PER YEAR MAX
OPERABLE TEMPERATURE RANGE		-40°C TO +85°C	-40°C TO +85°C
INPUT	VOLTAGE	+5.0 VDC ± 5% VDC OR +3.0 VDC ± 5%	+5.0 VDC ± 5% VDC OR +3.0 VDC ± 5%
	CURRENT	2.0 mA MAX (9.60 MHz TO 19.999 MHz) 3.0 mA MAX (20.00 MHz TO 32.00 MHz)	2.0 mA MAX (9.60 MHz TO 19.999 MHz) 3.0 mA MAX (20.00 MHz TO 32.00 MHz)
OUTPUT	WAVEFORM†	CLIPPED SINEWAVE	CLIPPED SINEWAVE
	LEVEL	1.0 V P-P FOR +5.0 VDC ± 5% 0.8 V P-P FOR +3.0 VDC ± 5%	1.0 V P-P FOR +5.0 VDC ± 5% 0.8 V P-P FOR +3.0 VDC ± 5%
	LOAD	10 K OHM // 10 pF	10 K OHM // 10PF
FREQUENCY ADJUSTMENT		±3 PPM MIN BY INTERNAL TRIMMER	±3 PPM MIN BY INTERNAL TRIMMER
FREQUENCY DEVIATION†		N/A	S: ±4.5 PPM TO ±7.5 PPM AT +1.5 V ±1.0 VDC Y: ±8 PPM TO ±15 PPM AT +2.5 V ±2.0 VDC

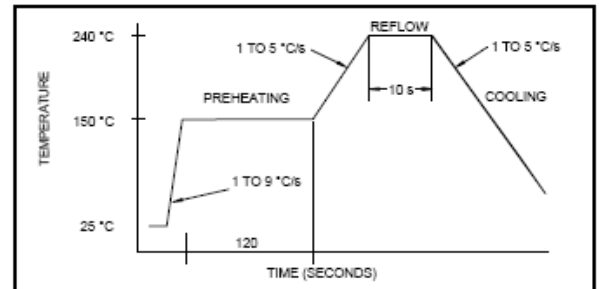


† OTHER STABILITIES OVER TEMPERATURE, WAVEFORMS AND FREQUENCY DEVIATIONS ARE AVAILABLE.

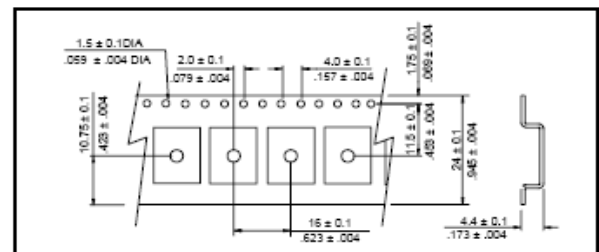
● **OUTLINE DRAWING**



● **REFLOW SOLDERING PROFILE**



● **CARRIER TAPE DIMENSIONS**



● **PACKAGING**

180 mm REEL DIAMETER, 24 mm TAPE WIDTH, 16 mm PITCH
QUANTITY: 1000 PIECES PER REEL

● **PART NUMBERING SYSTEM**

TYPE	REVISION	SERIES	FREQUENCY STABILITY	TEMPERATURE RANGE	VOLTAGE	FREQUENCY CONTROL (RTV ONLY)	TRIMMER	WAVEFORM	FREQUENCY
RTX RTV	TBD*	119	E: ±2.5 PPM	F1: -30°C TO 75°C	3: +3.0 VDC ± 5% 5: +5.0 VDC ± 5%	S: ±4.5 PPM TO ±7.5 PPM (+1.5 V ±1.0 V) Y: ±8 PPM TO ±15 PPM (+2.5 V ±2.0 V)	T	S: CLIPPED SINE	IN MHZ

EXAMPLE: RTV*-119EF13S-TS-14.31818

* REVISION IS ASSIGNED DURING MANUFACTURING

中國 ● 香港 ● 九龍官塘開源道 55 號 開聯工業中心 7 字樓 A 座 1-2 號
Block A, Flat 1-2, 7/F, Hoi Yuen Road, Kwun Tong, Kln, Hong Kong, China

Tel: 852-23899201 Fax: 852-23410001 E-mail: info@nkg.com.hk