



LOW NOISE OCXO –OX6749 MODEL

FEATURES

Low Noise OCXO
Excellent frequency stability
Mechanical / Electrical frequency adjustment available

APPLICATIONS:

- SATCOM
- BASE STATIONS
- TEST INSTRUMENTS

■ ELECTRICAL PERFORMANCE

PARAMETER	LOW NOISE OCXO
	SC CUT CRYSTAL
Oscillator Supply voltage, nom.	12V ±5%
Oven Supply voltage, nom.	12V ±5%
Power dissipation steady state	3 Watt Max.
Heat up power	6 Watt Max
Heat up time, max. (relative to 2 hours after turn on, following 24 hours off)	3 min Max (Measured at 25°C to within 0.1PPM of final frequency)
Frequency **	10MHz
Frequency Adjustment: Electrical (0 to 10V) Mechanical	0.6 PPM Min Enough to compensate for 10 years of aging
Freq. stability vs. temperature LZ: 0°C to 70°C	±0.01 PPM (Standard, contact factory for different temp ranges and stabilities)
Freq. stability vs. supply changes	±0.002 PPM Max for ±5% Change
Freq. stability vs. load changes	±0.002 PPM Max for ±5% Change
Long term stability (Aging)	±0.7 PPM Max for 10 Years ±0.1 PPM Max for 1 Years ±0.0005 PPM/Day Max.
Input Impedance Control Voltage pin	10KΩ
Output	Sine +7dBm
Harmonics, Sub Harmonics	-30dBc(Sine Output)
Spurious	-75dBc(Sine Output)
Short term Stability	1 E-11 /Sec
Phase Noise (Sine Output 10MHz)	Offset Phase Noise 10Hz -130 dBc/Hz 100Hz -152 dBc/Hz 1000Hz -160 dBc/Hz 10000Hz -165 dBc/Hz 100000Hz -165 dBc/Hz

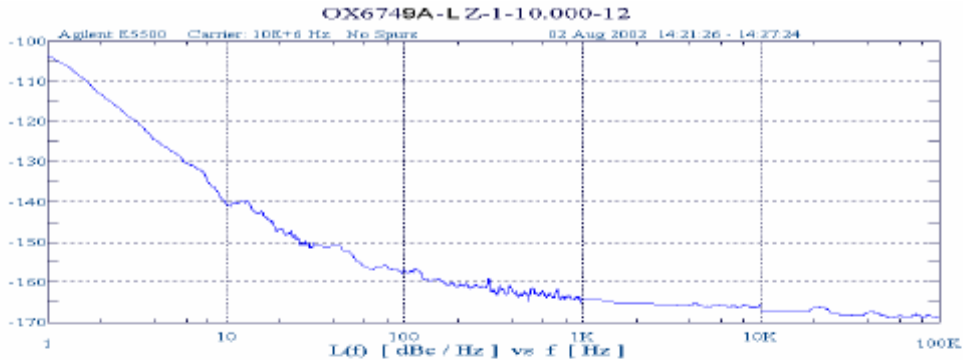
■ ** For Other frequency please consult with factory.

Note: All typical parameters for a 10MHz output and 12V supply. For different frequencies consult factory.

中國 ● 香港 ● 九龍官塘開源道 55 號 開聯工業中心 7 字樓 A 座 1-2 號
Block A, Flat 1-2, 7/F, Hoi Yuen Road, Kwun Tong, Kln, Hong Kong, China

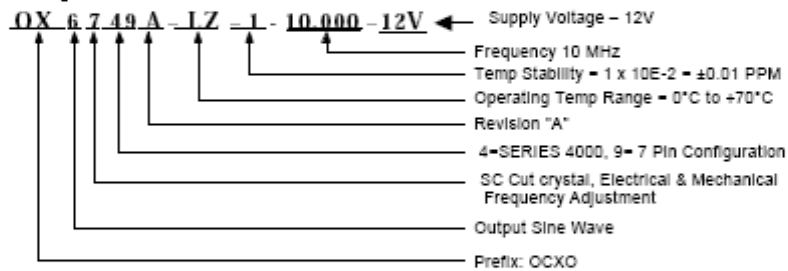
Tel: 852-23899201 Fax: 852-23410001 E-mail: info@nkg.com.hk

■ TYPICAL PHASE NOISE

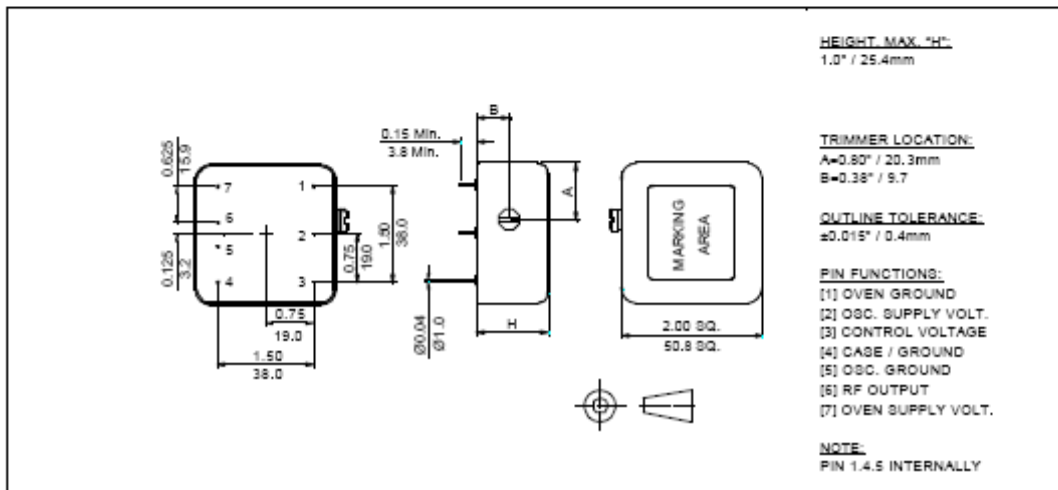


■ HOW TO ORDER (PART NUMBER)

Example:



■ MECHANICAL SPECIFICATION



中國 ● 香港 ● 九龍官塘開源道 55 號 開聯工業中心 7 字樓 A 座 1-2 號
Block A, Flat 1-2, 7/F, Hoi Yuen Road, Kwun Tong, Kln, Hong Kong, China

Tel: 852-23899201 Fax: 852-23410001 E-mail: info@nkg.com.hk