



OCXO SERIES 5100

**FEATURES**

- Miniature OCXO in modified CO-15 package
- Low current consumption
- Frequencies up to 155.520 MHz

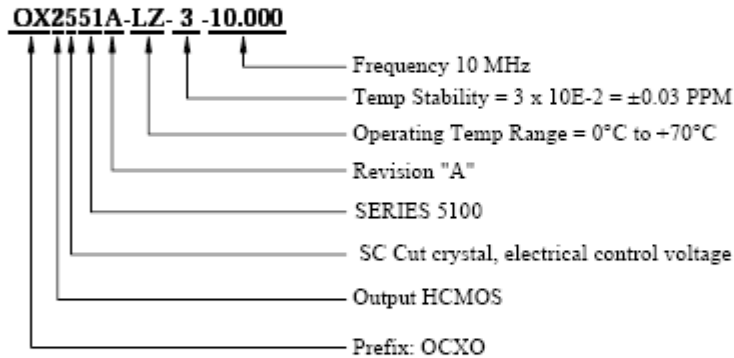
■ ELECTRICAL PERFORMANCE

PARAMETER	OCXO SERIES 5000	
	AT CUT CRYSTAL	SC CUT CRYSTAL
Supply voltage, nom.	5V ±5% (3.3V Optional)	
Power dissipation steady state	1.5 Watt Max.	
Heat up power	3 Watt Max	
Heat up time.	3 min Max	
Frequency range	1 To 155.520 MHz Standard	
Frequency Adjustment	±10PPM Min (0 to 5V)	±0.7PPM Min (0 to 5V)
Freq. stability vs. temperature LX: 0°C to 60°C FZ: -30°C to 70°C D3: -40°C to 85°	±0.05 PPM ±0.1 PPM ±0.25 PPM	±0.01 PPM ±0.02 PPM ±0.03 PPM
	(Standard, contact factory for different temp ranges and stabilities)	
Freq. stability vs. supply changes	±0.015 PPM Max for ±5% Change	±0.010 PPM Max for ±5% Change
Freq. stability vs. load changes	±0.01 PPM Max for ±5% Change	±0.005 PPM Max for ±5% Change
Long term stability (Aging)	±4 PPM Max for 10 Years ±0.005 PPM/Day Max.	±1 PPM Max for 10 Years ±0.002 PPM/Day Max.
Output	HCMOS/TTL/Sine 0 to +7dBm (Low voltage CMOS Available)	
Harmonics	-30dBc(Sine Output)	
Spurious	-75dBc(Sine Output)	
Duty cycle	40/60% to 60/40%(HCMOS)	
Rise / fall time	10nS Max. (HCMOS, 10%~90%Vout, 90%~10%Vout)	
Short term Stability	1 E-10 /Sec	5 E-11 /Sec
Phase Noise	Offset    Phase Noise	Offset    Phase Noise
	10Hz    -90 dBc/Hz	10Hz    -110 dBc/Hz
	100Hz   -125 dBc/Hz	100Hz   -125 dBc/Hz
	1000Hz -135 dBc/Hz	1000Hz -140 dBc/Hz
	10000Hz -150 dBc/Hz	10000Hz -150 dBc/Hz

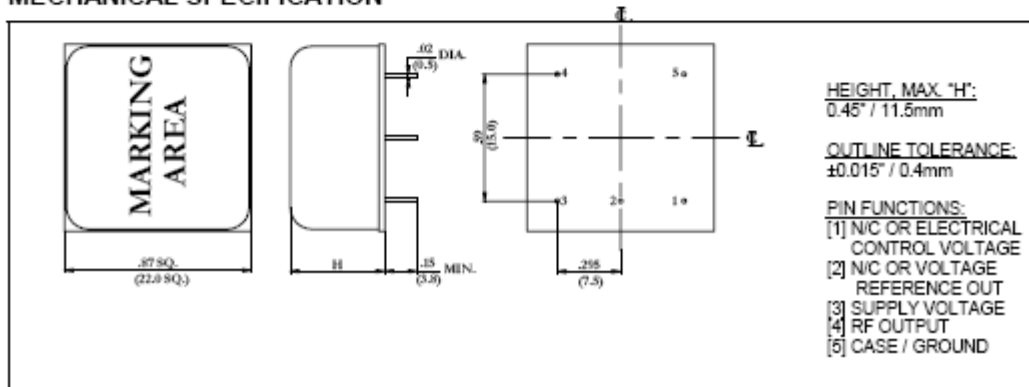
## HOW TO ORDER (PART NUMBER)

Prefix	Output Type	Cut Type	Series	Revision	Temperature Range	Stability	Frequency
OX	2: HCMOS 4: LVC MOS 6: SINE	0: AT (No Vcontrol) 1: SC (No Vcontrol) 4: AT (Elect Vcontrol) 5: SC (Elect Vcontrol)	50: 5000	A	First letter Lowest Temperature, Second letter Highest Temperature: From A=-55°C to Z=+70°C, Then: 1=+75°C, 2=+80°C, 3=+85°C... in 5°C steps Example: LZ: +0°C to +70°C LX: +0°C to +60°C FZ: -30°C to +70°C D3: -40°C to +85°C	Value x 10E-2 in PPM  Example 28= 0.28PPM M  10= 0.1PPM	In MHz

Example:



## MECHANICAL SPECIFICATION



中國 • 香港 • 九龍官塘開源道 55 號 開聯工業中心 7 字樓 A 座 1-2 號  
Block A, Flat 1-2, 7/F, Hoi Yuen Road, Kwun Tong, Kln, Hong Kong, China

Tel: 852-23899201 Fax: 852-23410001 E-mail: info@nkg.com.hk