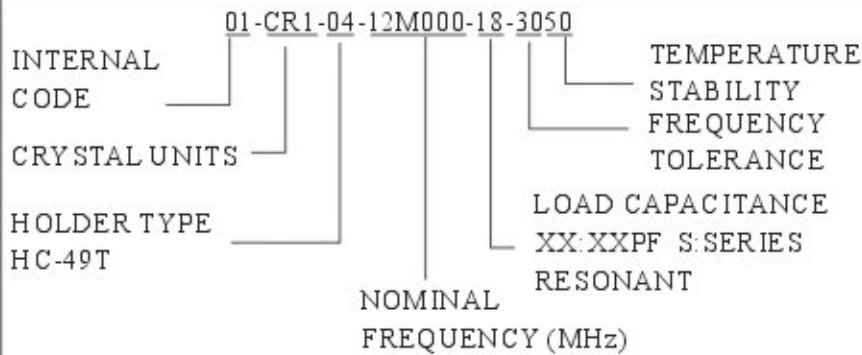


RESISTANCE WELDED HOLDER HC-49T

PART NUMBERING SYSTEM



ELECTRICAL SPECIFICATIONS

Frequency Range (Fo)	8.000MHz to 200.000MHz						
Frequency Tolerance at 25°C ($\Delta f/f_0$)	± 30 ppm(typ)	± 10 ppm	± 15 ppm	± 50 ppm	± 30 ppm	± 50 ppm	± 50 ppm
Temperature Stability (REF To 25°C)	± 30 ppm(typ)	± 10 ppm	± 30 ppm	± 50 ppm	± 30 ppm	± 50 ppm	± 100 ppm
Operating Temperature Range (TOPR)	-20°C to 70°C			-40°C to 85°C			
Storage Temperature Range (TSTG)	-40°C to 85°C						
Shunt Capacitance (Co)	7pF Max						
Load Capacitance (CL)	10 to 32pF or Series Resonant						
Insulation Resistance	500 Mega ohms Minimum at 100V DC						
Drive Level	1m Watts Max						
Aging (at 25°C)	± 5 ppm/year Max						

EQUIVALENT SERIES RESISTANCE (ESR) AND MODE OF OPERATION (MODE)

Frequency Range	Max ESR(Ω)	Mode	Frequency Range	Max ESR(Ω)	Mode
8.000MHz to 12.999MHz	30	Fundamental	70.000MHz to 124.999MHz	90	Fifth Overtone
13.000MHz to 30.999MHz	25	Fundamental	125.000MHz to 149.999MHz	90	Fifth Overtone
24.000MHz to 29.999MHz	50	Third Overtone	150.000MHz to 200.000MHz	150	Seventh Overtone
30.000MHz to 80.000MHz	40	Third Overtone			

DIMENSIONS

Unit: mm

