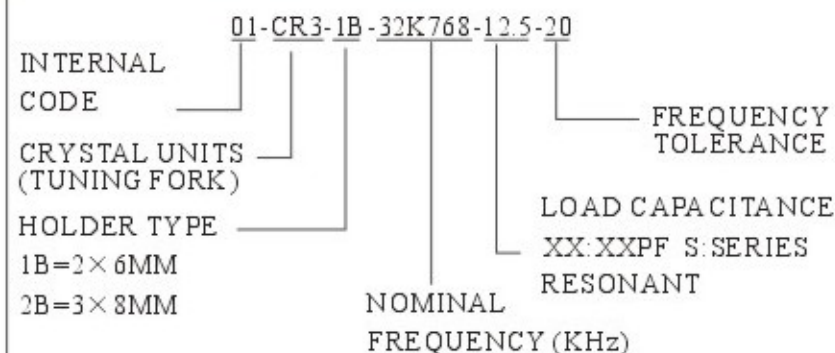


## TUNING FORK DT-26T AND DT-38T SERIES

### PART NUMBERING SYSTEM

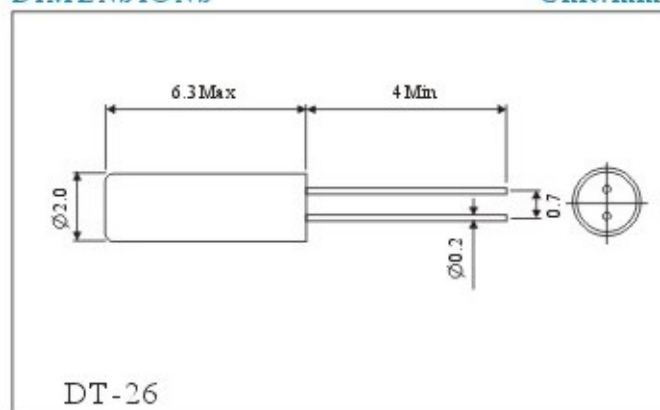


### ELECTRICAL SPECIFICATIONS

Frequency Range	(Fo)	32.768KHz
Frequency Tolerance (at 25°C)	( $\Delta f/fo$ )	±20ppm
Temperature Stability (REF TO 25°C)		-0.042ppm/( $\Delta T$ ) <sup>2</sup> max parabolic Turn Over Temperature at 25°C ±5°C
Operating Temperature Range	(T <sub>OPR</sub> )	-10°C to 60°C
Storage Temperature Range	(T <sub>STG</sub> )	-20°C to 70°C
Shunt Capacitance	(C <sub>0</sub> )	0.85pF (typ), 2pF Max
Load Capacitance	(C <sub>L</sub> )	12.5pF (typ)
Motional Capacitance	(C <sub>1</sub> )	2.0pF typical
Insulation Resistance		500 Mega ohms Minimum at 100V <sub>DC</sub>
Drive Level		1 μWatts Max
Aging (at 25°C)		±3ppm/year Max
Equivalent series resistance (ESR)	DT-38T SERIES	35KΩMax
	DT-26T SERIES	50KΩMax

### DIMENSIONS

Unit: mm



### DIMENSIONS

Unit: mm

